

WALL CABINETS MY

Merianto Medical hospital furniture is based on an ISO modular system using 600 x 400 mm and 400 x 300 mm baskets with the cabinet dimensions taking into consideration the modular system dimensions. The MY wall cabinets are designed for baskets with a width of 600 mm, 400 mm and 300 mm. The cabinet interior can be fitted as desired using ISO modular system baskets and shelves.

The medicine cabinets are made from quality melamine. The cabinets can have a closed or open facade. The doors open to a 220° angle.



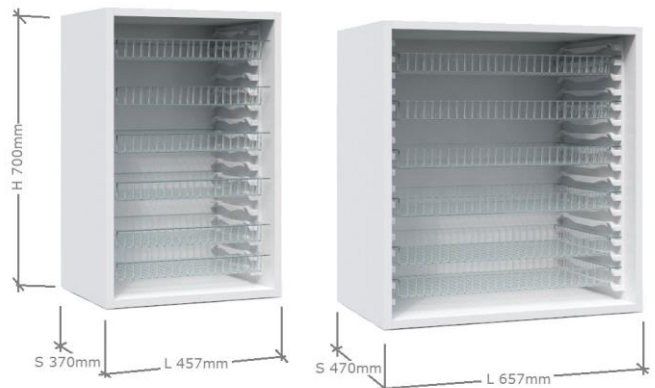
Facade options are:



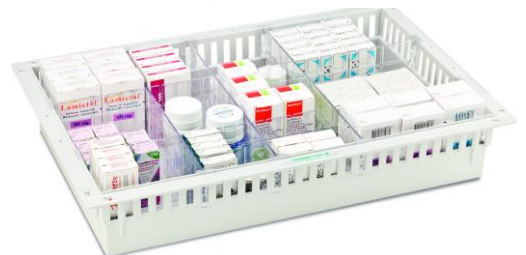
Standard options include five different finishings:



Cabinet dimensions are as follows:



- The cabinet interior can be fitted according to individual needs using ISO system baskets and shelves
- Baskets have a load factor up to 20 kg.
- All facade types are lockable. The locks can be placed in series so that they are compatible with cabinets within the same room, floor or other desired zone. The base choice is a mechanical furniture lock but electronic locks with codes or smart cards are additional options.
- The doors have silicone magnets which ensure soft closing.
- The cabinets can be ordered with angled tops to help reduce dust collection on the tops.
- The ISO baskets used in cabinets have many additional accessories, dividers, label holders etc. which help create order and save space.



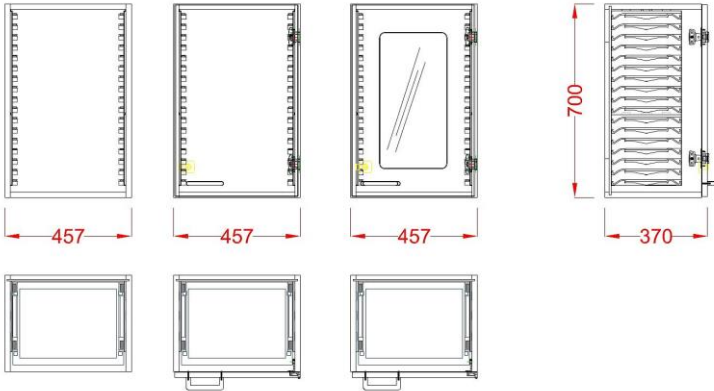
WALL CABINET M-Y DIMENSIONS

Cabinets are intended for L600 x 400mm and L400 x 300mm baskets

M-Y4

M-Y4-U

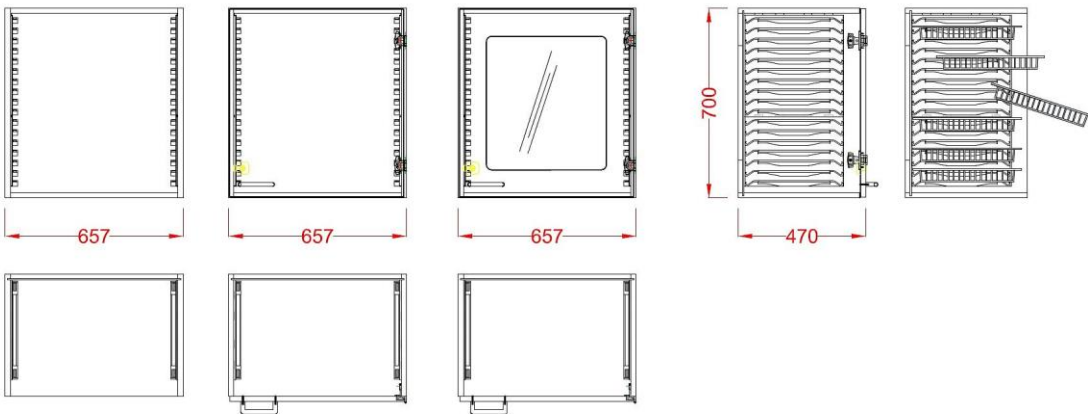
M-Y4-U-KL



M-Y6

M-Y6-U

M-Y6-U-KL



M-Y6-US

M-Y6-R

